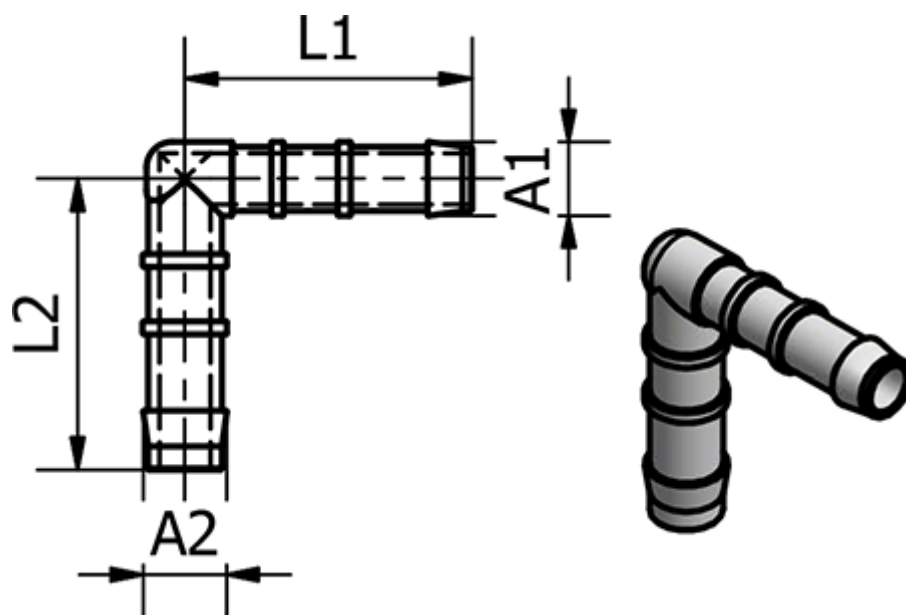


Article number: 58634812

Description: Tube Connector 34.812, $\text{Ø}6/\text{Ø}6$
Angle

Measures



Ext. Hose Diameter A1 =	6
Ext. Hose Diameter A2 =	6
L1 =	25
L2 =	26